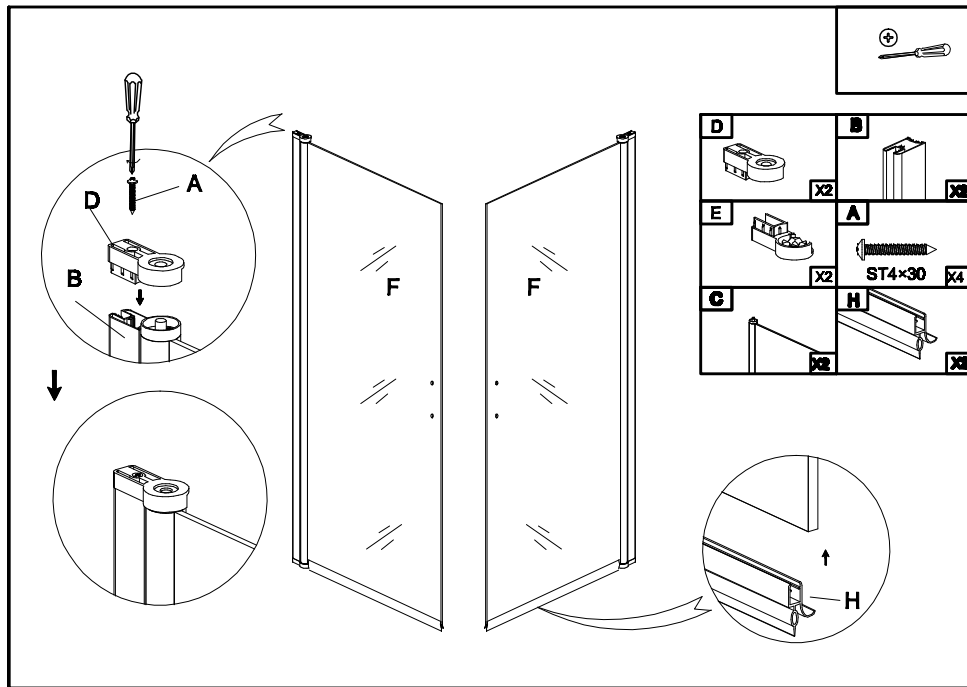
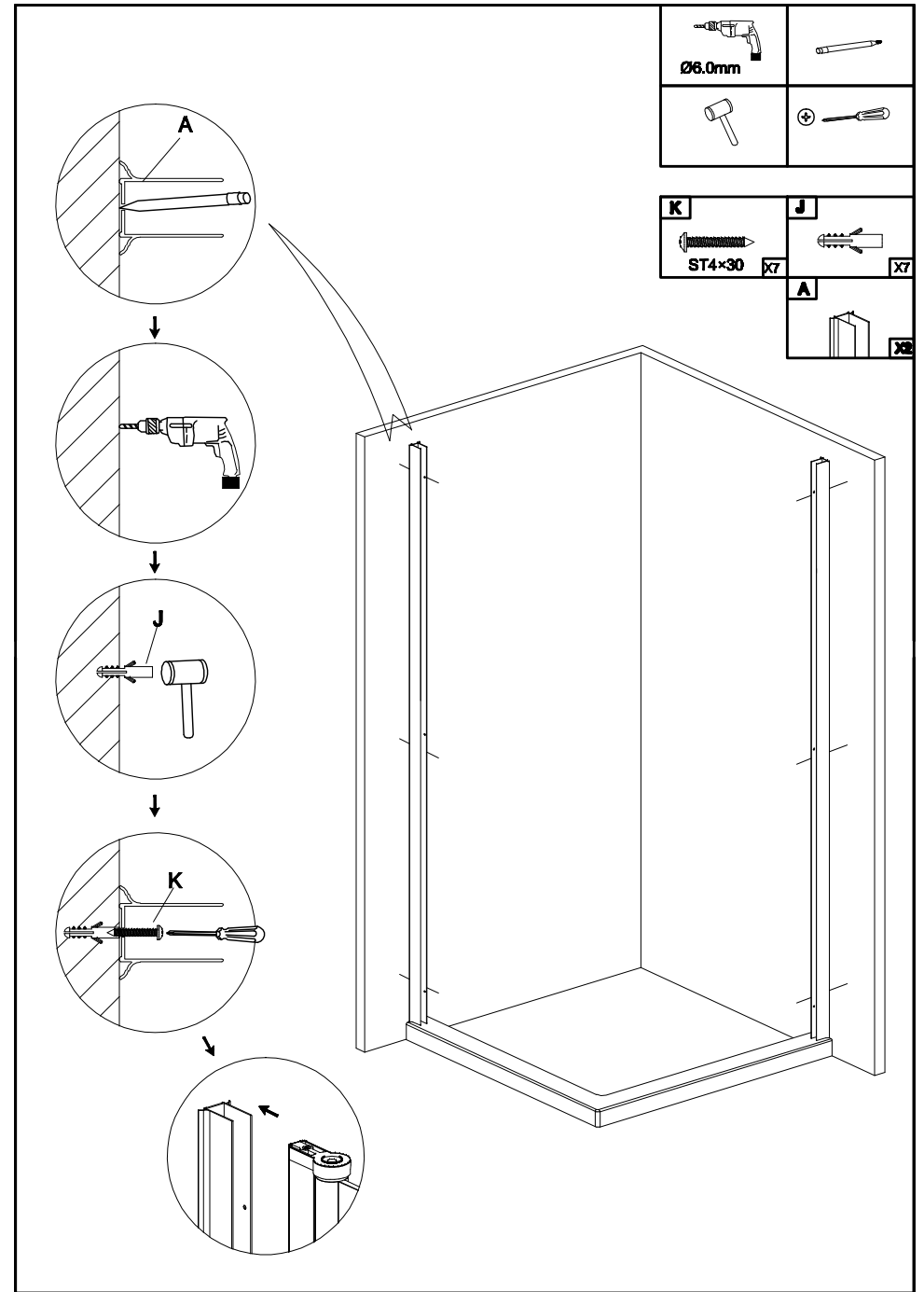


A		X2	H		X2
B		X2	I		X4
C		X2	J		X8
D		X2	K	 ST4×30	X12
E		X2	L	 ST4×12	X4
F		X2			
G		X2			



1



2