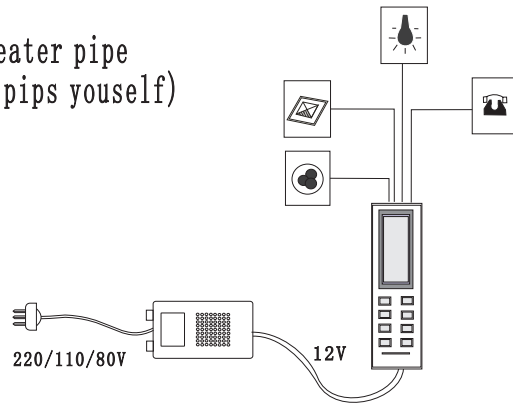


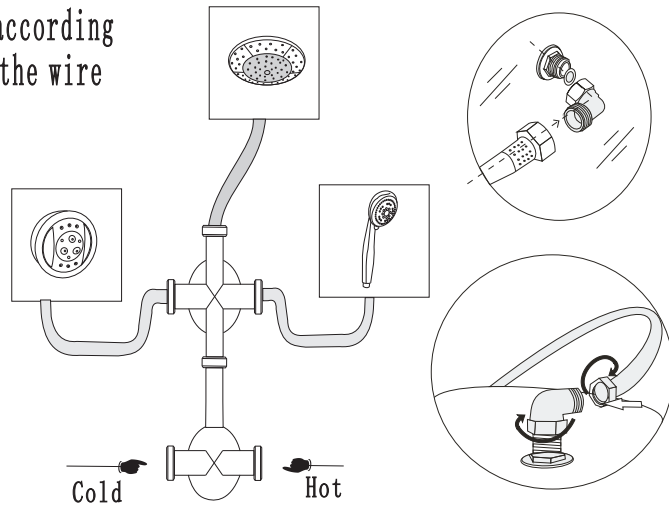
Step5:

Install the hot and cold water pipe
(you need to buy this two pipes yourself)



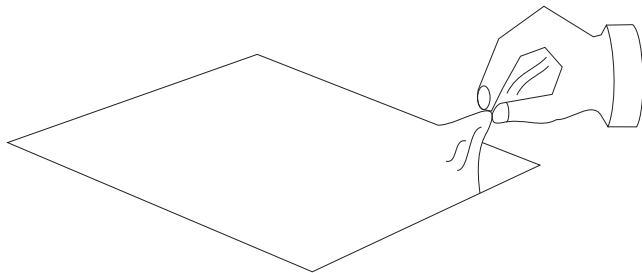
Step6:

Match all the wire according
to the same icon on the wire



Step7:

Remove the protective layer on the ABS tray the roof
That will make it look nice

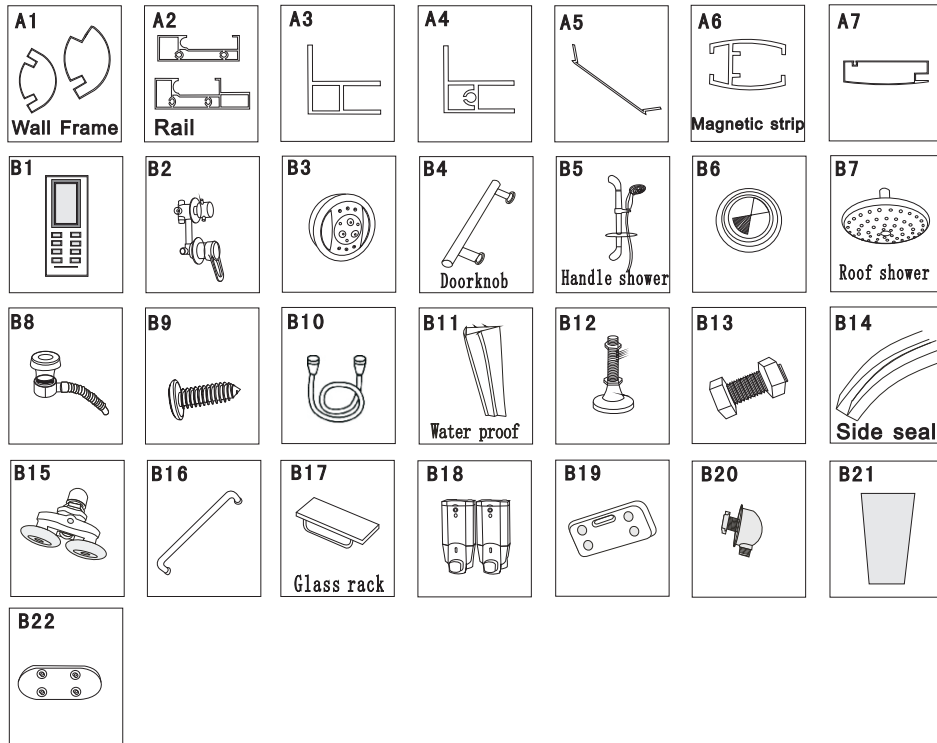


INSTALLATION MANUAL



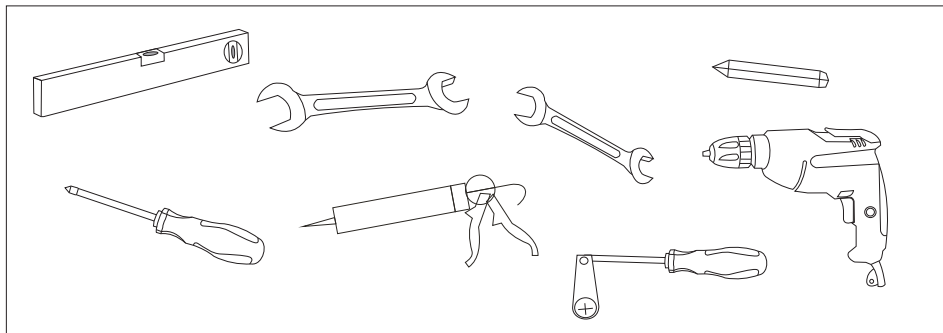
Size:130x85x215cm
150x85x215cm
170x85x215cm

Part Of Accessories



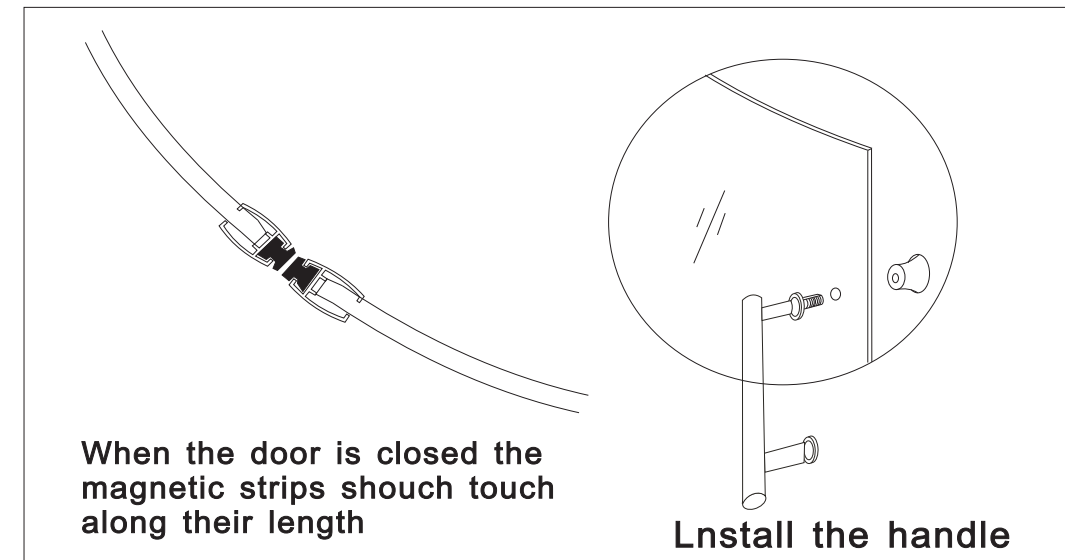
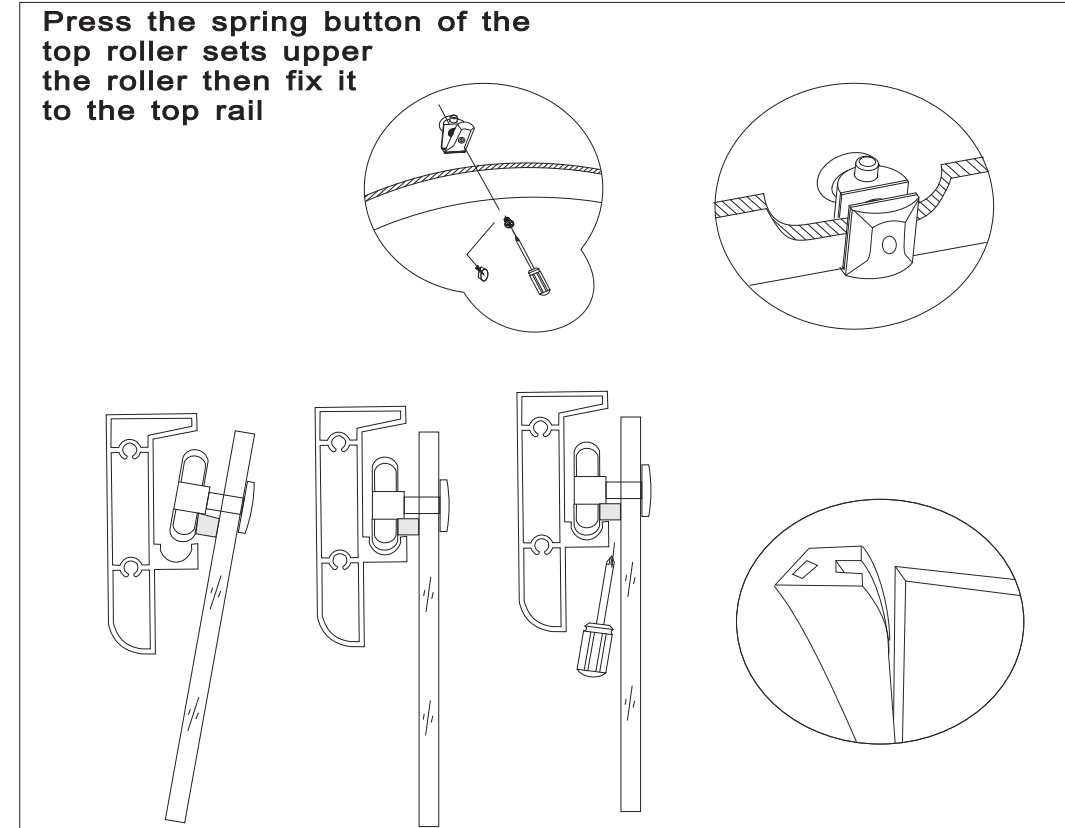
These drawings are just for reference The accessories have many different styles and something maybe have been fixed on already please check it

Part Of Tools

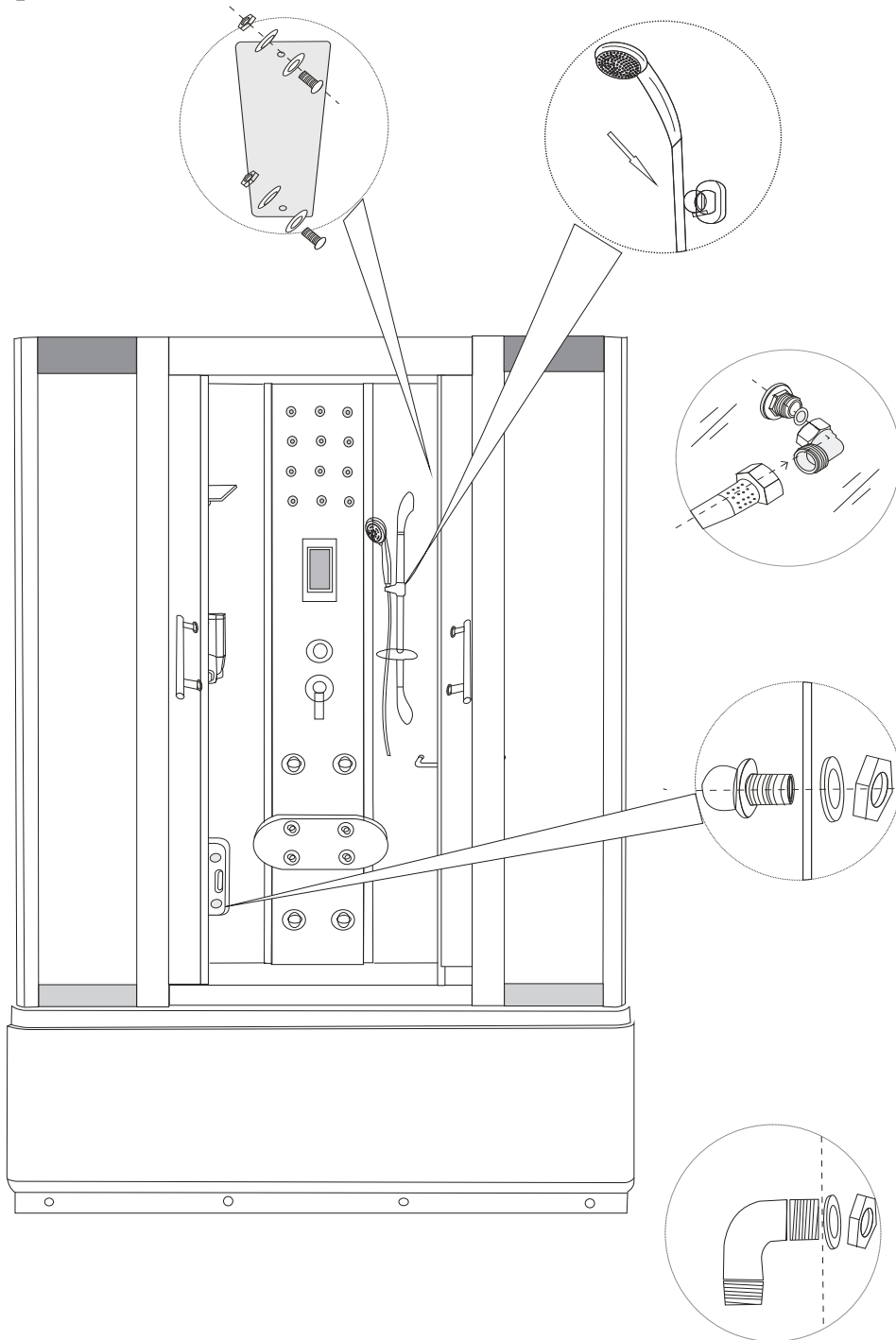


Step4:

Press the spring button of the top roller sets upper the roller then fix it to the top rail



Step3:

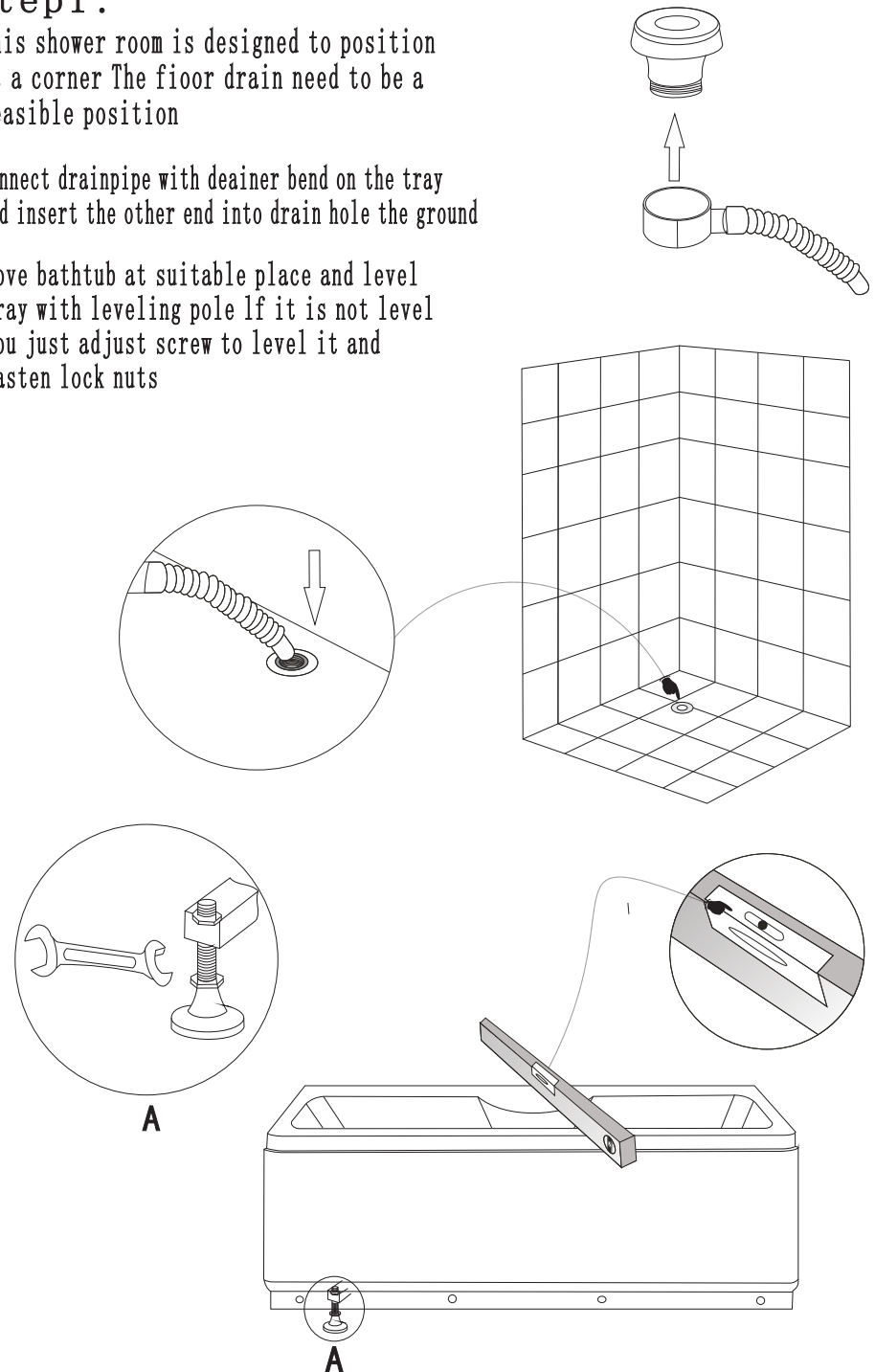


Step1:

This shower room is designed to position at a corner. The floor drain needs to be in a feasible position.

Connect the drainpipe with a deainer bend on the tray and insert the other end into the drain hole in the ground.

Move the bathtub to a suitable place and level the tray with a leveling pole. If it is not level, you just adjust the screw to level it and fasten the lock nuts.



Step2:

