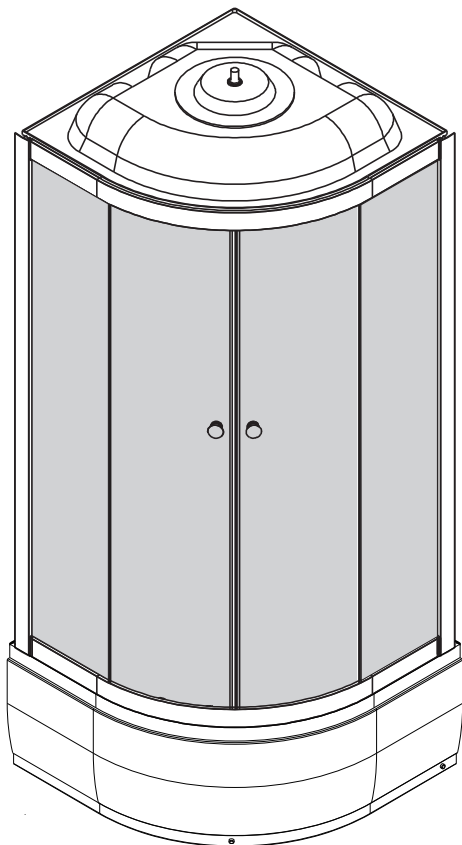
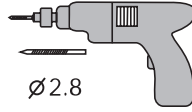


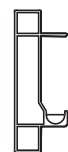
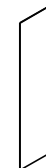

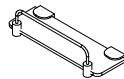

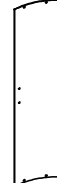
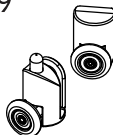


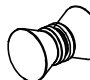
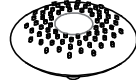


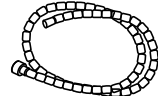





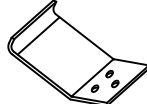
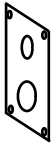
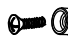

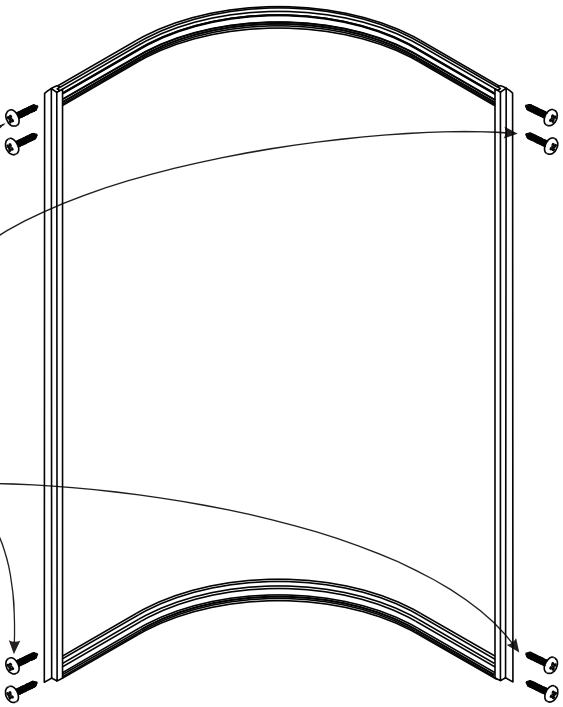
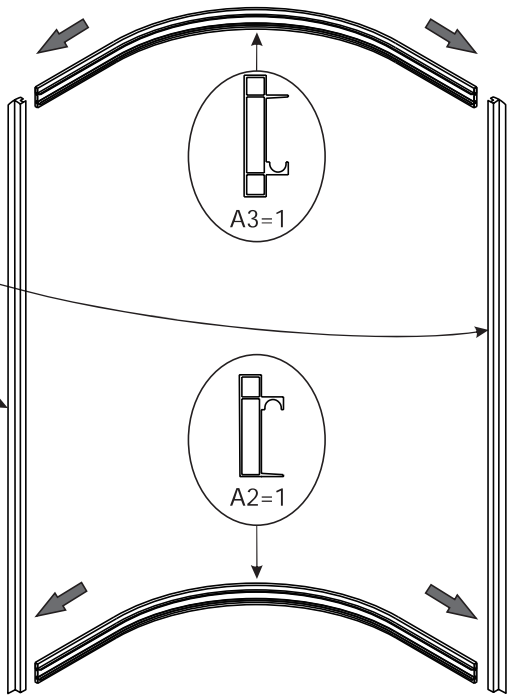
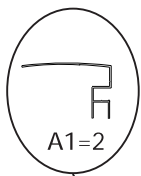


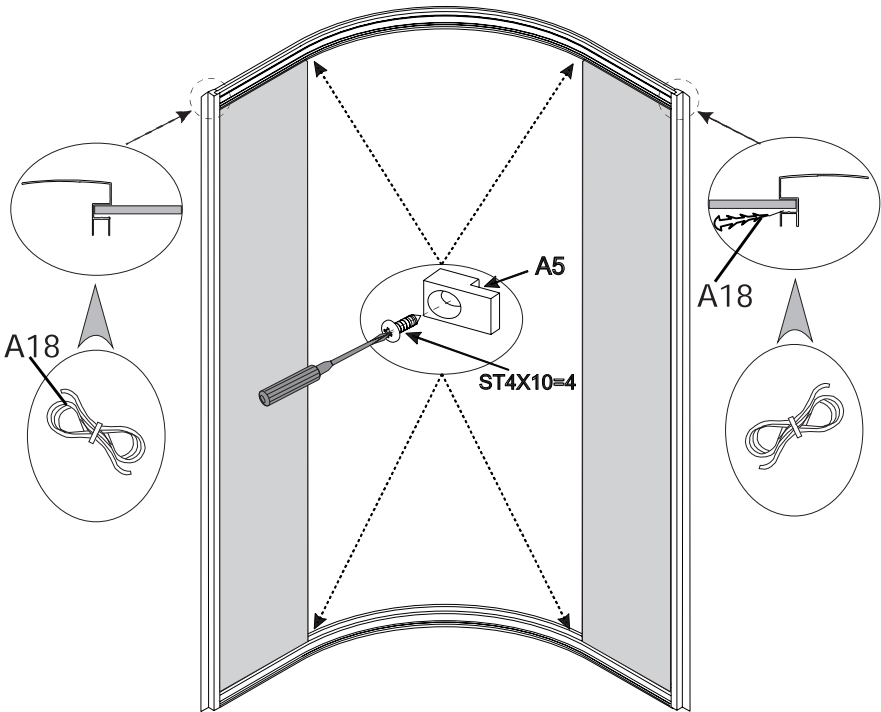
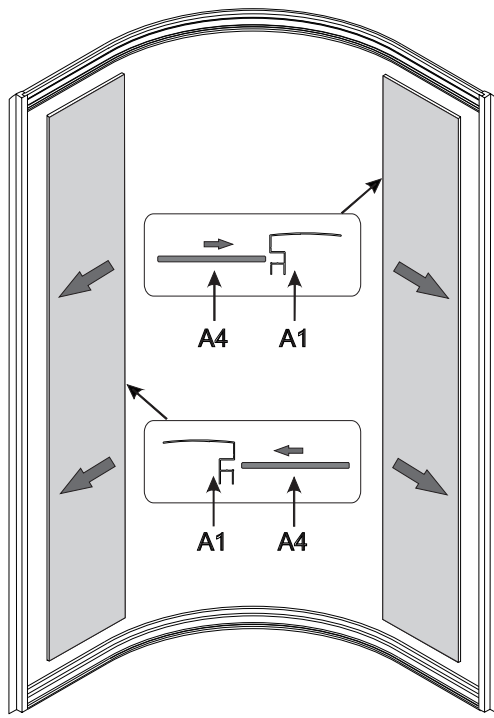
BST85

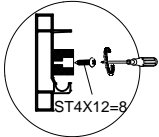
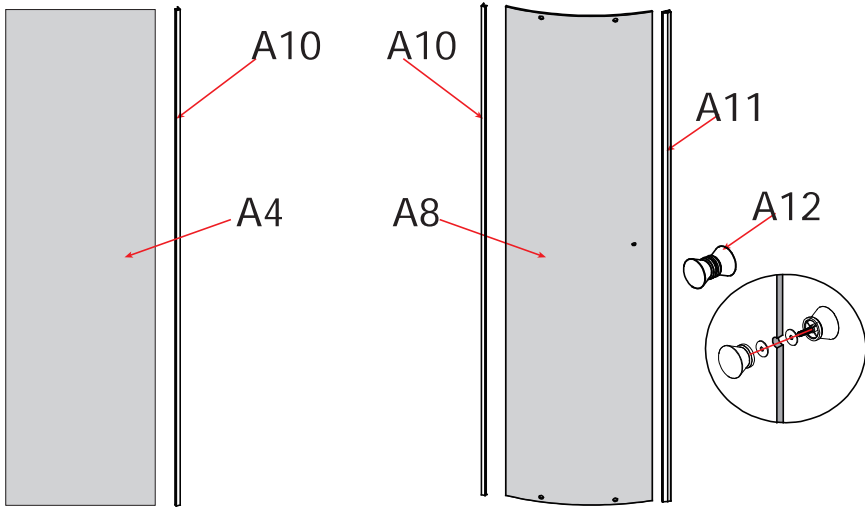




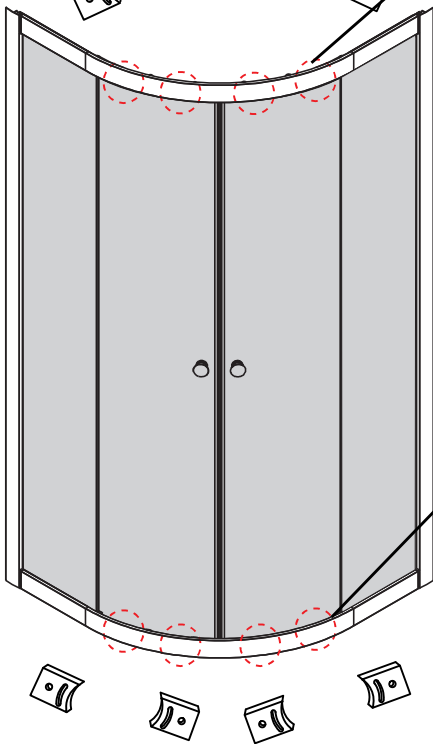
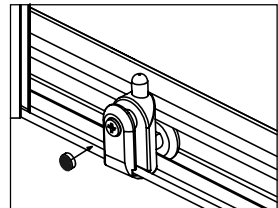
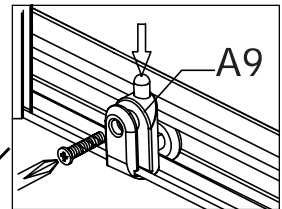
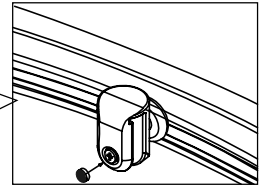
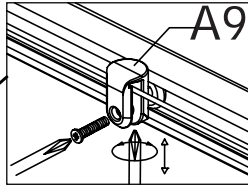
<p>A1</p>  <p>X2</p>	<p>A2</p>  <p>X1</p>	<p>A3</p>  <p>X1</p>	<p>A4</p>  <p>X2</p>	<p>A5</p>  <p>X4</p>
<p>A6</p>  <p>X1</p>	<p>A7</p>  <p>X1</p>	<p>A8</p>  <p>X2</p>	<p>A9</p>  <p>X8</p>	<p>A10</p>  <p>X4</p>
<p>A11</p>  <p>X2</p>	<p>A12</p>  <p>X2</p>	<p>A13</p>  <p>X1</p>	<p>A14</p>  <p>X2</p>	<p>A15</p>  <p>X1</p>
<p>A16</p>  <p>X1</p>	<p>A17</p>  <p>X1</p>	<p>A18</p> <p>2.0</p>  <p>X2</p>	<p>A19</p>  <p>X1</p>	<p>A20</p>  <p>X2</p>
<p>A21</p> <p>1.0</p>  <p>X2</p>	 <p>X5</p>	 <p>X1</p> <p>ST4*20</p>  <p>X4</p>	 <p>ST4X20=8 ST4*10=4 ST4*12=24 ST4*16=16 M4X25=2</p>	

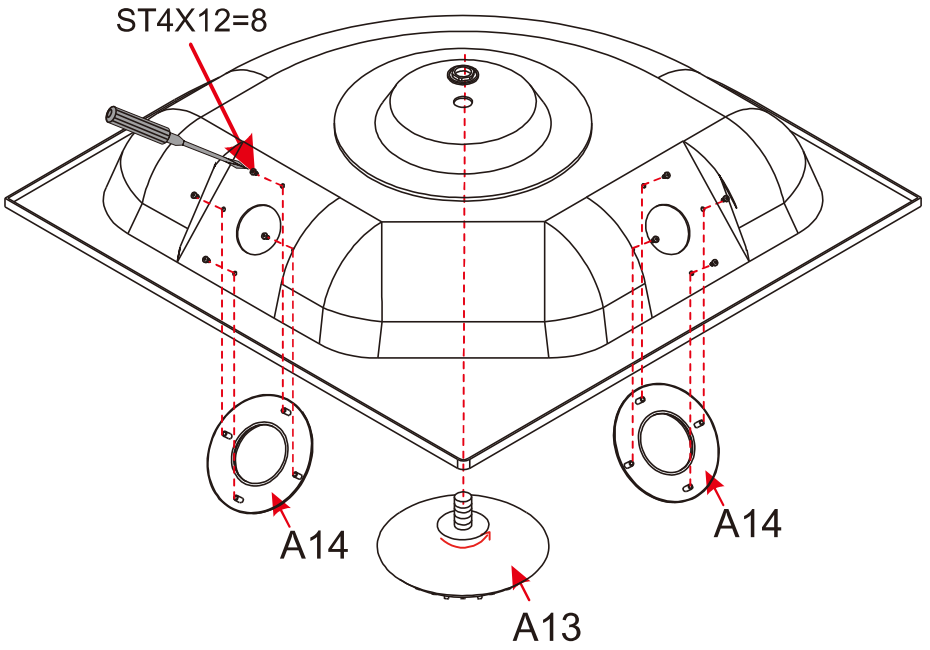




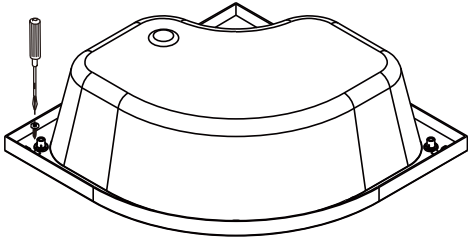


ST4*12=8

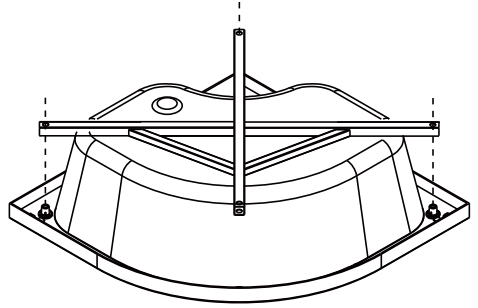




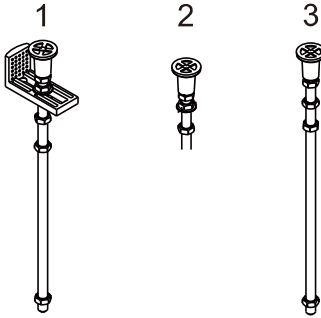
A



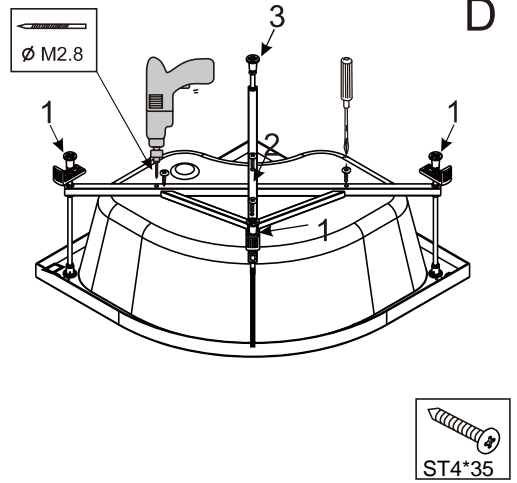
B



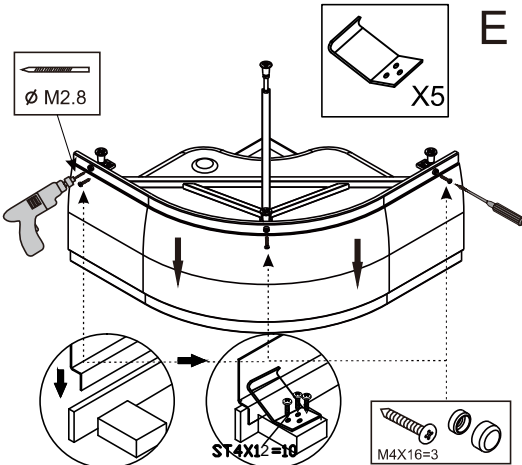
C



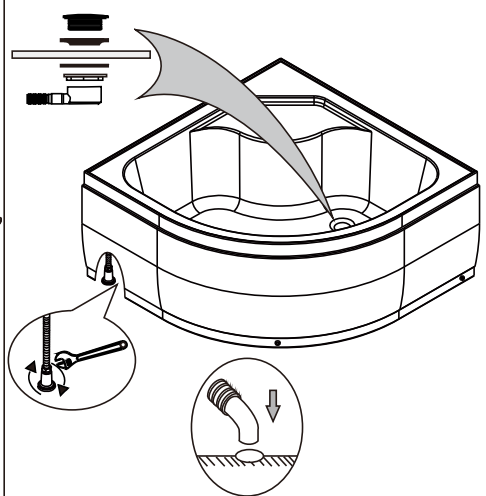
D



E



F



6

