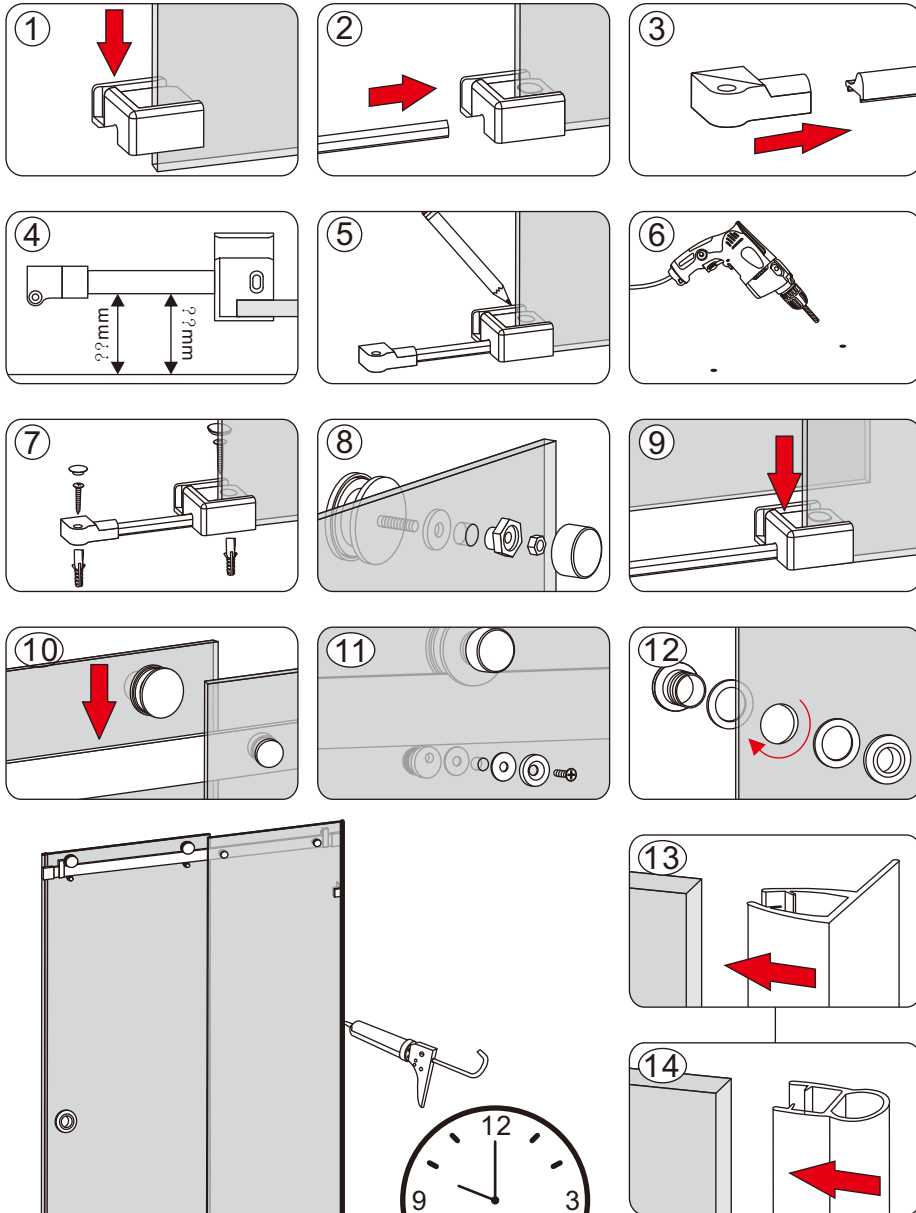
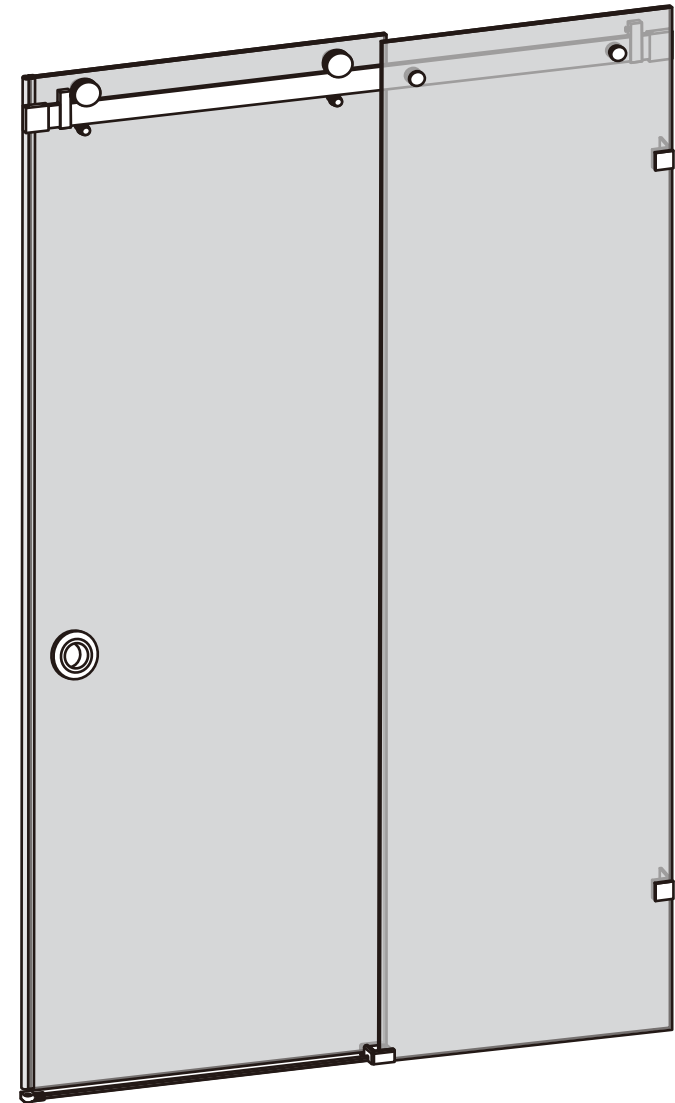


# Installing

## Step 2



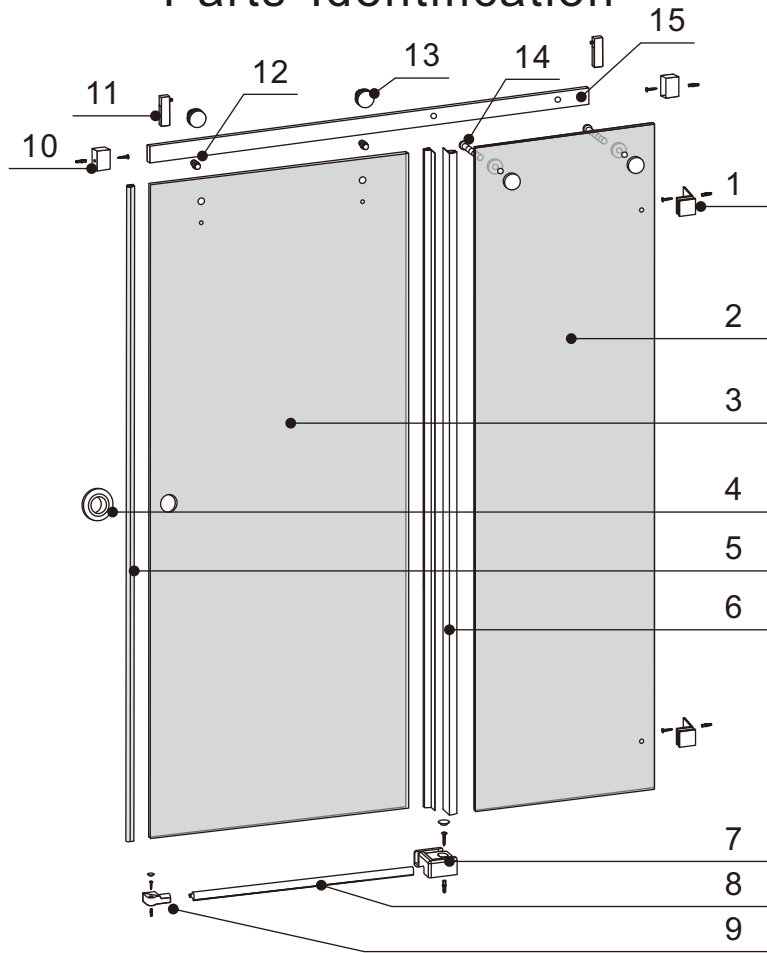
It is prohibited to use within 24 hours



Model:D05

Size:(1200-1600)x1950MM

## Parts Identification



NO.	Element	QTY	Fig	NO.	Element	QTY	Fig
①	Wall profile	2		⑩	Fixed hardware I	2	
②	Fixed glass	1		⑪	Stop piece	2	
③	Door glass	1		⑫	Anti jump screw	2	
④	Handle	1		⑬	Wheel	2	
⑤	Waterproof	1		⑭	Fixed buckle	2	
⑥	Waterproof	2		⑮	304 Stainless steel	1	
⑦	Fixed plastic I	1		⑯	ST4*25	2	
⑧	Aluminum	1		⑰	ST4*30	4	
⑨	Fixed plastic II	1		⑱	Bolt	6	

## Installation Drawing

### Tool list

Electrical dill 	Drill bit $\phi 6$	Pencil 	Screwdriver 
Tape measure 	Level 	Glue gun 	

### Installing

#### Step 1

